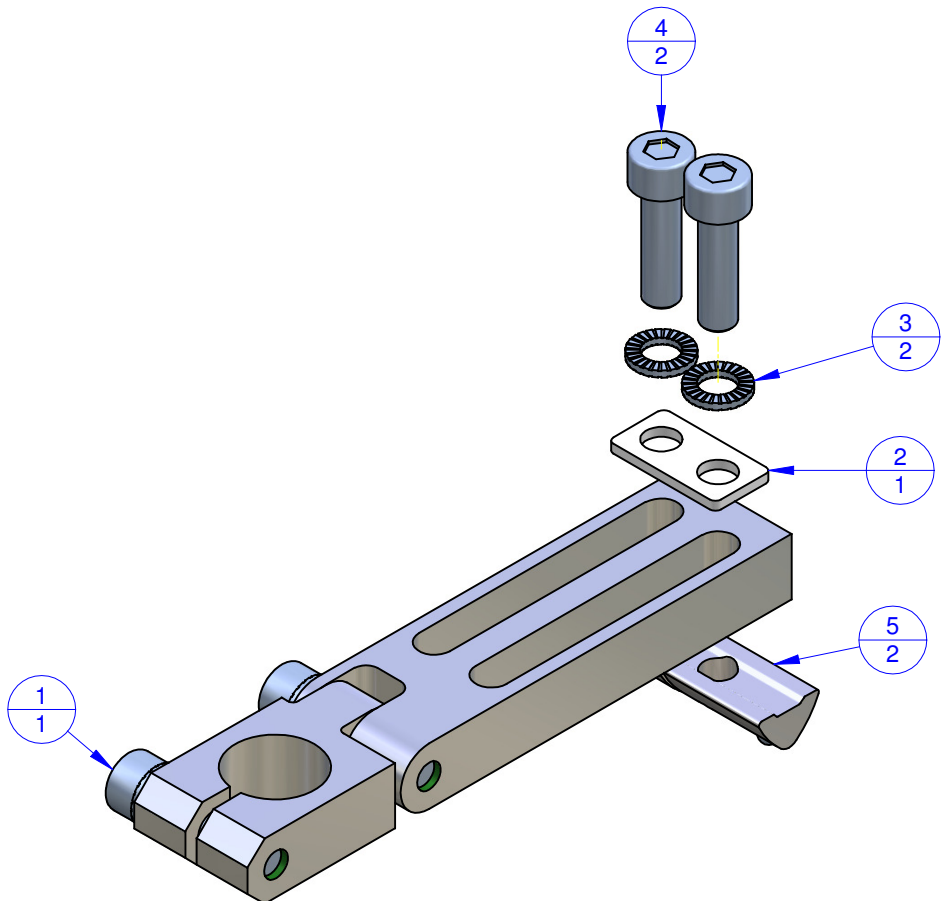


THE PROPERTY OF THIS DRAWING IS ESTABLISHED BY LAW
IT IS FORBIDDEN TO REPRODUCE IT OR SHOW IT TO THIRD PARTY
WITHOUT A WRITTEN AGREEMENT.

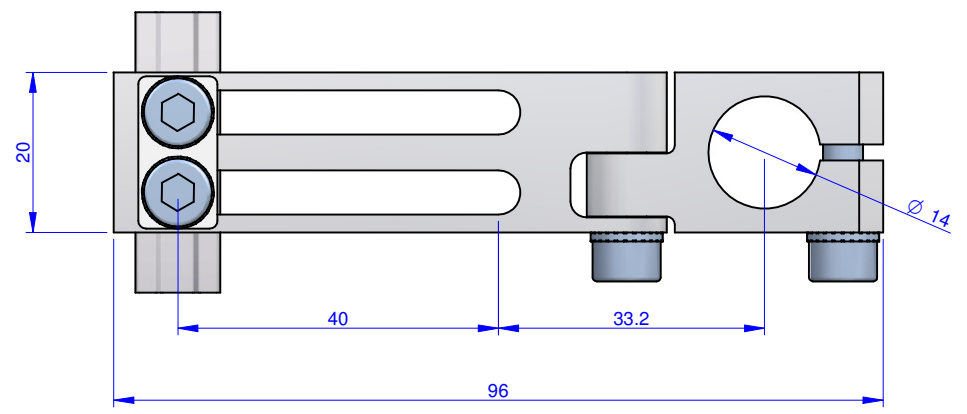
MODIFICATIONS: _____
 (7) _____ (10) _____
 (8) _____ (11) _____
 (9) _____ (12) _____

MODIFICATIONS: _____
 (1) _____ (4) _____
 (2) _____ (5) _____
 (3) _____ (6) _____

Format **A3**
 UNI 936-76



Object Number	Name	QTY
1	CA.WSL.GA.14	1
2	R.05.10	1
3	R.5.SCH	2
4	V.TCEI M5X18	2
5	CA.02.05.005	2



FP Services <small>GENERAL TOLERANCE: UNI - ISO 2768 CLASSE f</small>		DESIGNED FROM FPSERVICES		
		<table border="1"> <tr> <td>DATE 03/2015</td> <td>WEIGHT 0,059 kg</td> </tr> <tr> <td colspan="2">CODE CA.WSL.GA.14.6</td> </tr> </table>	DATE 03/2015	WEIGHT 0,059 kg
DATE 03/2015	WEIGHT 0,059 kg			
CODE CA.WSL.GA.14.6				

